



## RC-80 Instructions

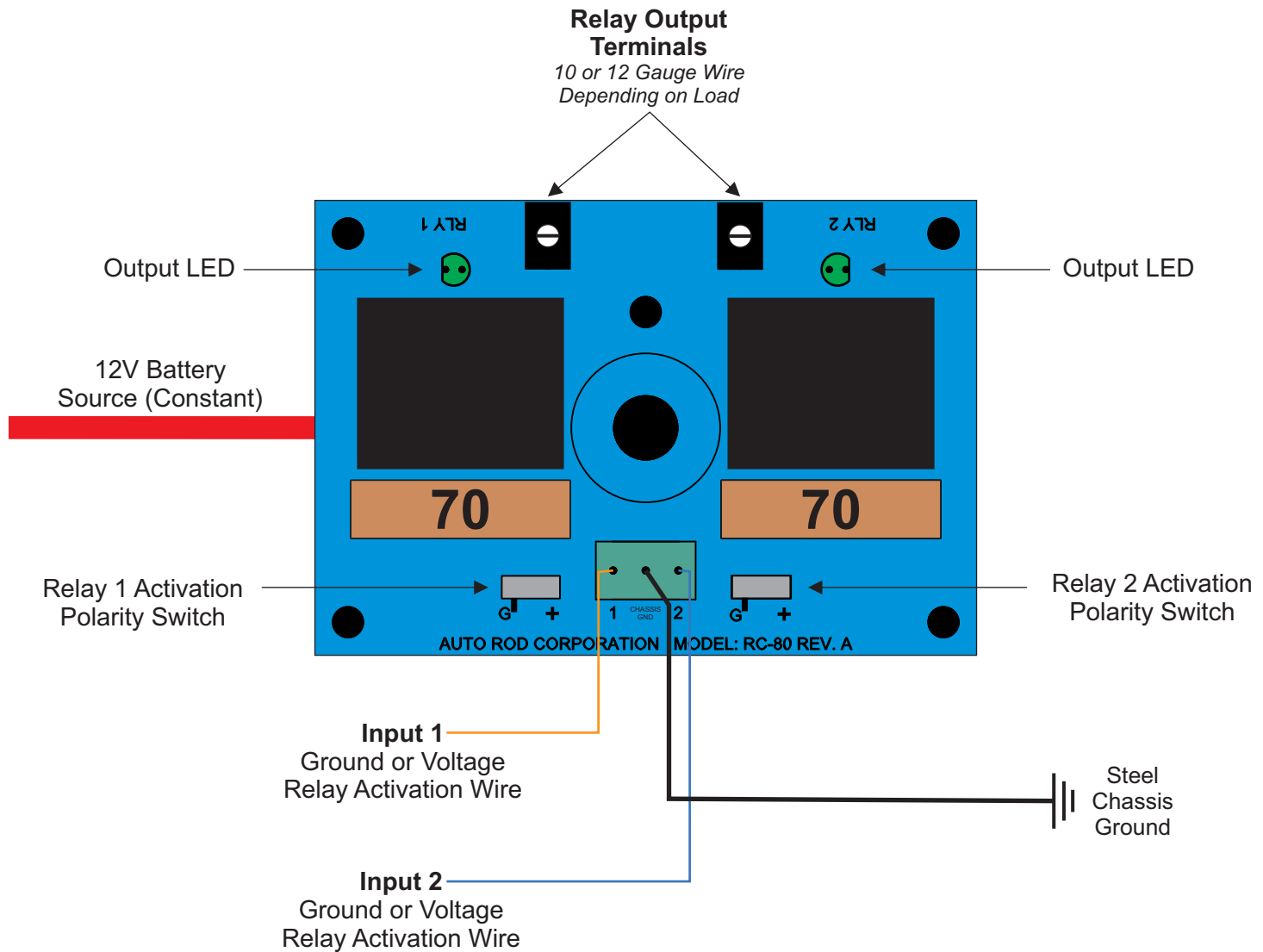
1. Connect heavy red wire to battery +
2. Connect terminal marked CHASSIS GROUND to a good chassis ground or direct to the Battery negative terminal.
3. Set the selector switch to the desired polarity.
4. Connect the activation wires from your switches or ECU to the green terminal block. Each position on the is numbered to the corresponding relay.
5. Connect output terminals of each relay to your accessory. Attach your wire to the metal terminals using the included fork terminal. This should be a heavy gauge wire (10 or 12 gauge depending on load).
6. Apply included white labels to relays.

[www.AutoRod.net](http://www.AutoRod.net)

Tech Support: 732-851-5095 or 774-417-6542



# ARC-RC-80 Relay Module



[www.AutoRod.net](http://www.AutoRod.net)

Tech Support: 732-851-5095 or 774-417-6542