



## 4000U Instructions

1. Connect heavy red wire to battery +
2. Connect terminal marked GND to chassis Ground or direct to Battery negative terminal.
3. Set the selector switches to desired activation polarity (mechanical relay positions only) **Solid State relays are Ground activation only.**
4. Connect activation wires from your switches or ECU to the green terminal block. Each position on the terminal is numbered to the corresponding relay.
5. Connect output terminals of each relay to your accessory. Attach your wire to the metal terminals using the included fork terminals.
6. The terminals marked BAT1 and BAT2 are always hot fused power take offs. Use these terminals to supply power to anything needing a constant power source.
7. Apply included white labels to relays

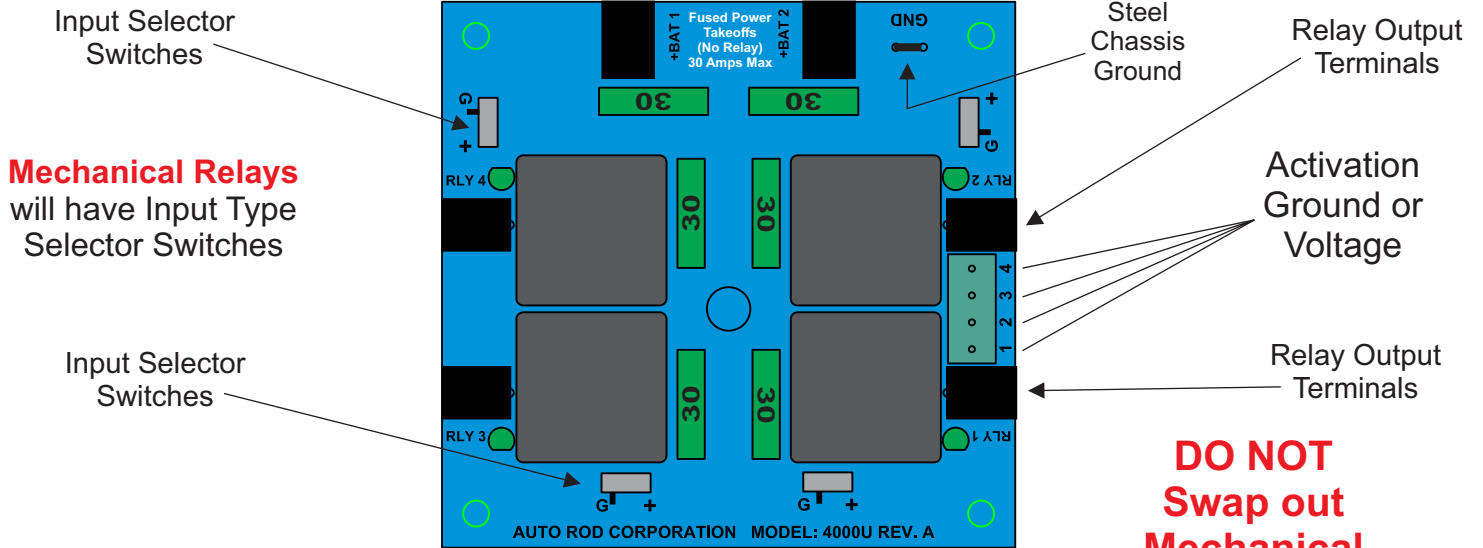
### Notes:

The solid state relays are Ground activation only. Do not swap a solid state relay into a mechanical relay socket. The board can only use solid state relays in positions that were originally configured for them from the factory.



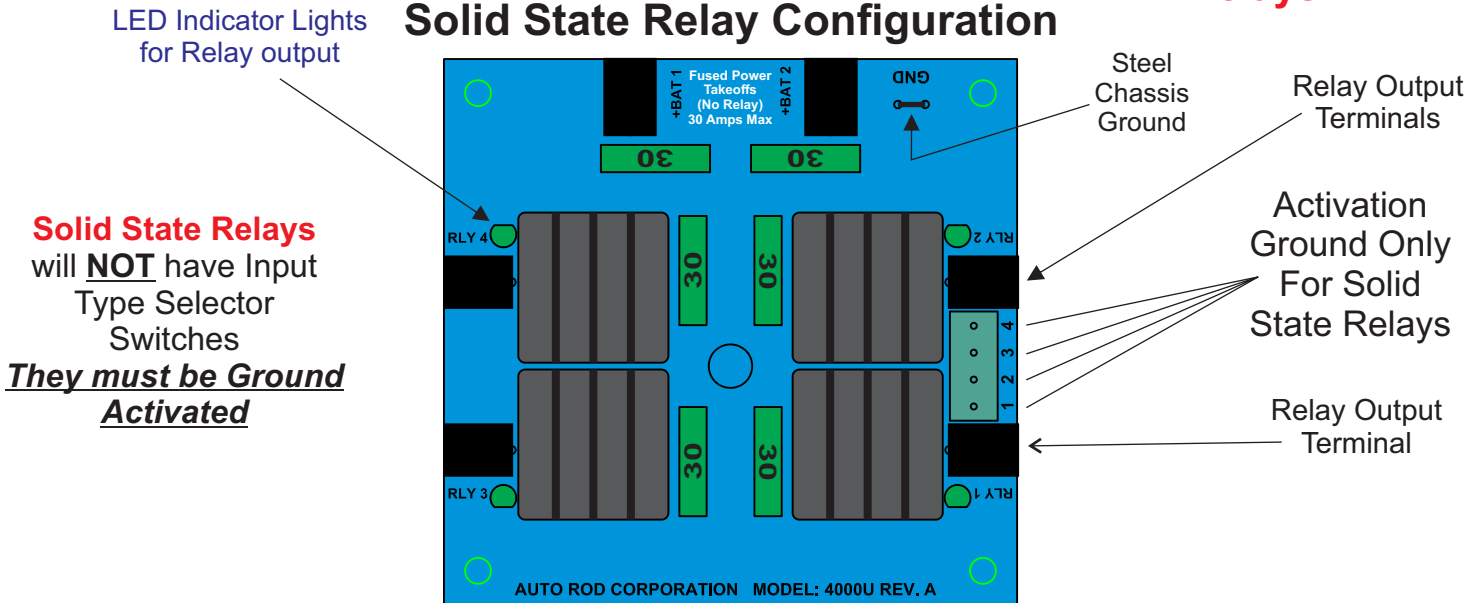
# ARC-4000U Relay Controller

## Mechanical Relay Configuration



**DO NOT  
Swap out  
Mechanical  
Relays with  
Solid State  
Relays**

## Solid State Relay Configuration



Solid State Relay use has to be configured at time of purchase SS Relays can only be used where they are assigned at ARC.